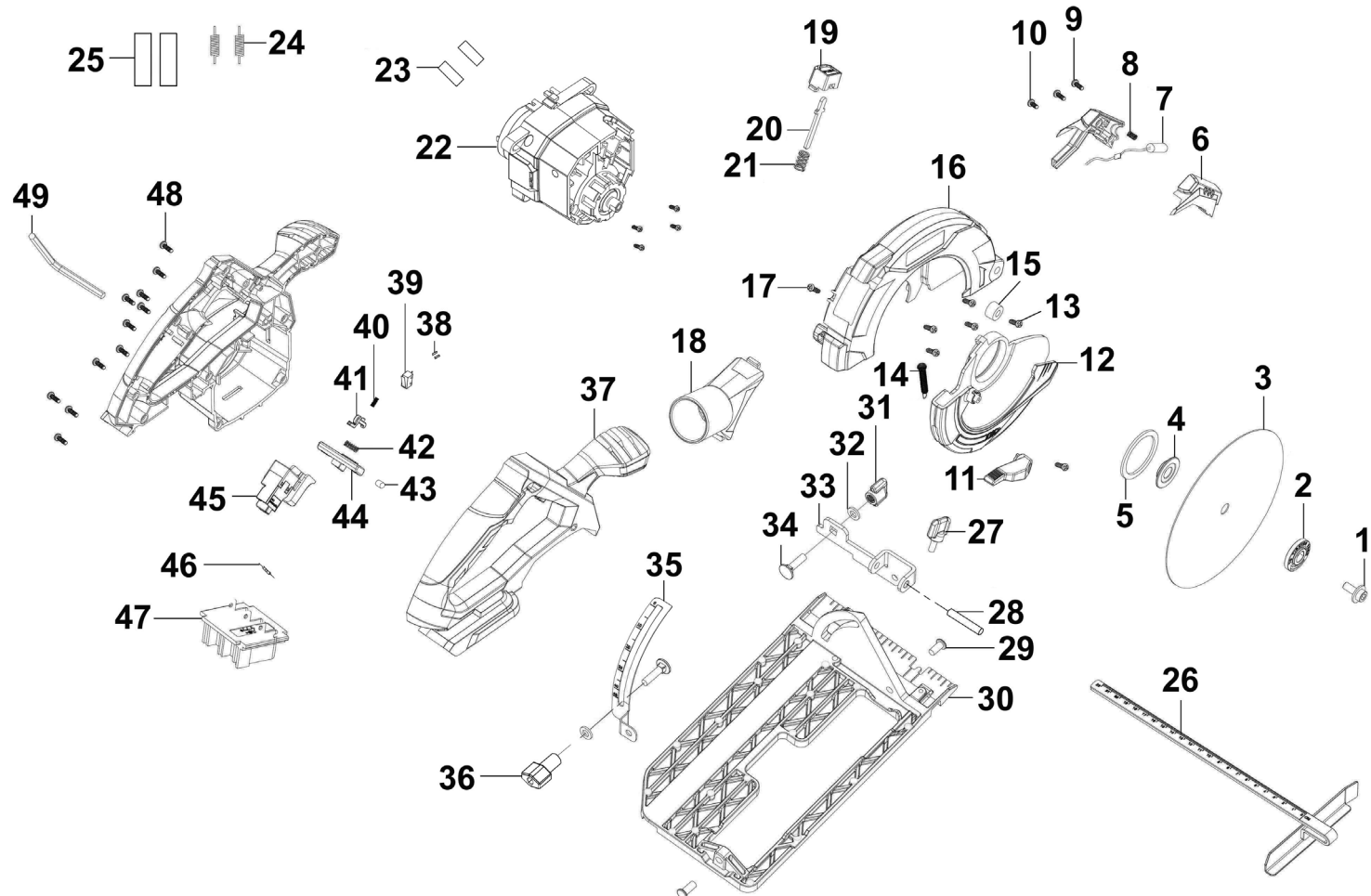




Parts Information:  
Circular Saw 20V SV20 Series Ø150mm - Body Only  
Model No: CP20VCS



**NOTE:** It is our policy to continually improve products and as such we reserve the right to alter data, specifications and component parts without prior notice.

There may be alternative versions of this product, please contact us should you require this information.

**IMPORTANT:** No liability is accepted for incorrect use of product. Spare parts must be fitted by a competent person

**WARRANTY:** Guarantee is 12 months from purchase date, proof of which will be required for any claim.

Sealey Group, Kempson Way, Suffolk Business Park, Bury St Edmunds, Suffolk. IP32 7AR



01284 757500



sales@sealey.co.uk



www.sealey.co.uk



Parts Information:  
**Circular Saw 20V SV20 Series Ø150mm -  
Body Only**  
**Model No: CP20VCS**

Item	Part No.	Description	Qty
1	CP20VCS.01	Flange Screw	1
2	CP20VCS.02	Outer Blade Flange	1
3	CP20VCS.03	Saw Blade Ø150mm	1
4	CP20VCS.04	Inner Blade Flange	1
5	CP20VCS.05	Locating Plate	1
6	CP20VCS.06	Lamp Holder	1
7	CP20VCS.07	Laser Light	1
8	CP20VCS.08	Spring	1
9	MSP310.S	Machine Screw Pan Head Phillips M3 x 10mm	8
10	CP20VCS.10	Lamp Holder Screw 3 x 10mm	1
11	CP20VCS.11	Guard Bar	1
12	CP20VCS.12	Plastic Guard	1
13	MSP412.S	Machine Screw Pan Head Phillips M4 x 12mm	1
14	CP20VCS.14	Tension Spring	1
15	CP20VCS.15	Locating Pin	1
16	CP20VCS.16	Rear Guard	1
17	MSP38.SB	Machine Screw Pan Head Phillips M3 x 8mm Black	1
18	CP20VCS.18	Extraction Dust Tube	1
19	CP20VCS.19	Locking Knob Button	1
20	CP20VCS.20	Locking Knob Bracket	1
21	CP20VCS.21	Locking Knob Spring	1
22	CP20VCS.22	Gearbox	1
23	CP20VCS.23	Clear Tube	2
24	CP20VCS.24	Inductance	2

Item	Part No.	Description	Qty
25	CP20VCS.25	Clear Tube	2
26	CP20VCS.26	Guide Ruler	1
27	CP20VCS.27	Plastic Thread Screw	1
28	CP20VCS.28	Elastic Pin	1
29	CP20VCS.29	Rivet	2
30	CP20VCS.30	Base Plate	1
31	CP20VCS.31	Plastic Nut	1
32	CP20VCS.32	Washer (11 x 6.2 x 1.5mm)	2
33	CP20VCS.33	Angular Guide	1
34	CBN618.SB	Coach Bolt M6 x 18mm Black	2
35	CP20VCS.35	Depth Guide	1
36	CP20VCS.36	Plastic Nut for Depth Gauge	1
37	CP20VCS.37	Casing Complete	1
38	CP20VCS.38	Clear Tube	2
39	CP20VCS.39	Microswitch	1
40	CP20VCS.40	Return Spring	1
41	CP20VCS.41	Connecting Rod	1
42	CP20VCS.42	Spring	1
43	CP20VCS.43	Rubber Ring	1
44	CP20VCS.44	Lock Lever	1
45	CP20VCS.45	Speed Switch	1
46	CP20VCS.46	Resistance	1
47	CP20VSDS.20	Battery Connection Plate	1
48	MSP314.S	Machine Screw Pan Head Phillips M3 x 14mm	15
49	CP20VCS.49	Hex Wrench	1

**NOTE:** It is our policy to continually improve products and as such we reserve the right to alter data, specifications and component parts without prior notice. There may be alternative versions of this product, please contact us should you require this information.

**IMPORTANT:** No liability is accepted for incorrect use of product. Spare parts must be fitted by a competent person

**WARRANTY:** Guarantee is 12 months from purchase date, proof of which will be required for any claim.

Sealey Group, Kempson Way, Suffolk Business Park, Bury St Edmunds, Suffolk. IP32 7AR



01284 757500



sales@sealey.co.uk



www.sealey.co.uk